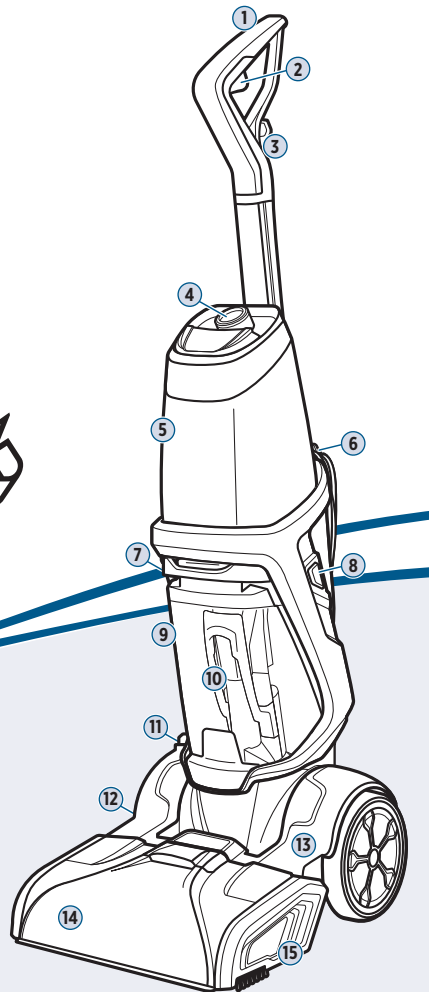




Bissell®

PROHEAT 2X® REVOLUTION® PET UPRIGHT CARPET CLEANER MODEL 3631F

What's in the Box? 3
Assembly 3
Filling the Formula Tank 4
Cleaning Carpets and Area Rugs 5
Cleaning with Hose and Tools 7
Emptying the Dirty Water Tank 9
After-Cleaning Care 9
Replacing the Belts and Brush Rolls 10
Troubleshooting 11
Limited Warranty 12



Product Overview

- | | |
|----------------------------|-----------------------|
| 1. Upper Handle | 9. Dirty Water Tank |
| 2. Spray Trigger | 10. Float Stack |
| 3. Cord Clip | 11. CleanShot® Button |
| 4. Easy Fill / Formula Cap | 12. Recline Pedal |
| 5. Clean Water Tank | 13. Belt Access Door |
| 6. Carry Handle | 14. Nozzle |
| 7. Cleaning Mode Switch | 15. Foot |
| 8. Power Button | |

| SYMBOL | EXPLANATION |
|--------|--|
| | Caution. |
| | Read operator's manual. |
| | Risk of fire. |
| | Risk of electric shock. |
| | Do not expose to rain. |
| | Store indoors. |
| | Do not overwet carpet. Use only on carpet moistened by the cleaning process. |

| SYMBOL | EXPLANATION |
|--------|---|
| | Use only BISSELL® cleaning formulas intended for use with this machine. |
| | Disconnect power before servicing. |
| | Protection against moving parts. |
| | Risk of automatic start-up. |
| | Use warm water, temperature up to 60°C. |
| | Check the manufacturer's tag before cleaning textile. "W" on the tag as shown means you can use your cleaner. |

| SYMBOL | EXPLANATION |
|--------|--|
| | Lock. |
| | Do not freeze. |
| | This symbol on the product and/or accompanying documents means that used electrical and electronic products should not be mixed with general household waste. For proper treatment, recovery and recycling, please take this product to designated collection points. Please contact your local authority for further details of your nearest designated collection point. |

IMPORTANT SAFETY INSTRUCTIONS

READ ALL INSTRUCTIONS BEFORE USING YOUR APPLIANCE.

When using an electrical appliance, basic precautions should be observed, including the following:

- ⚠️ ⚡ ⚠️ WARNING TO REDUCE THE RISK OF FIRE, ELECTRIC SHOCK OR INJURY:**
- This appliance is not intended for use by persons (including children) with reduced physical, sensory or mental capabilities, or lack of experience and knowledge, unless they have been given supervision or instruction concerning use of the appliance by a person responsible for their safety.
 - Children should be supervised to ensure that they do not play with the appliance.
 - Unplug from electrical socket when not in use, before cleaning, maintaining, or servicing the appliance, and if your appliance has an accessory tool with a moving brush, before connecting or disconnecting the tool.
 - Do not immerse in water or liquid.
 - Keep hair, loose clothing, fingers, and all parts of body away from openings and moving parts of the appliance and its accessories.
 - Do not immerse. Use only on surfaces moistened by the cleaning process. Use only BISSELL® cleaning products intended for use with this machine.
 - Use only the type and amount of liquids specified under the operations section of this guide.
 - Use only on carpet moistened by the cleaning process.
 - Liquid must not be directed towards equipment containing electrical components.
 - If the supply cable is damaged, it must be replaced by the manufacturer, its service agent or similarly qualified person in order to avoid a hazard.
 - Do not run appliance over cable.
 - Do not use with damaged cable or plug.
 - Do not pull or carry by cable, use cable as a handle, close door on cable, or pull cable around sharp edges or corners.
 - Keep cable away from heated surfaces.
 - Do not leave appliance when plugged in.
 - Always connect to a properly earthed electrical socket. Do not modify earthed plug.
 - Always install float before any wet pick-up operation.
 - Plastic film can be dangerous. To avoid danger of suffocation, keep away from children.
 - Use only as described in this user guide.
 - Use only manufacturer's recommended attachments.
 - If appliance is not working as it should, has been dropped, damaged, left outdoors, or dropped into water; do not attempt to operate it and have it repaired at an authorised service center.
 - Do not put any object into openings.
 - Do not use with any opening blocked; keep free of dust, lint, hair, and anything that may reduce air flow.
 - Use extra care when cleaning on stairs.
 - Do not use to pick up flammable or combustible liquids, such as petroleum, or use in areas where they may be present.
 - Do not pick up toxic material (chlorine bleach, ammonia, drain cleaner, etc.).
 - Do not use appliance in an enclosed space filled with vapours given off by oil-based paint, paint thinner, some moth-proofing substances, flammable dust, or other explosive or toxic vapours.
 - Do not pick up hard or sharp objects such as glass, nails, screws, coins, etc.
 - Do not pick up anything that is burning or smoking, such as cigarettes, matches or hot ashes.
 - Do not use without filters in place.
 - Use indoor only.
 - To unplug, grasp the plug, not the cable.
 - Do not handle plug or appliance with wet hands.
 - Turn OFF all controls before unplugging.

SAVE THESE INSTRUCTIONS

ORIGINAL INSTRUCTIONS.

FOR OPERATION ON A 220-240 VOLT A.C. 50-60 HZ POWER SUPPLY ONLY.

THIS MODEL IS FOR HOUSEHOLD USE ONLY.

IMPORTANT INFORMATION

- Keep appliance on a level surface.
- If your appliance has a motorised brush roll, do not leave machine running in the same spot without the handle fully upright.
- To reduce the risk of a leaking condition, do not store unit where freezing may occur. Damage to internal components may result.

What's in the Box?

Standard accessories may vary by model. To identify what should be included with your purchase, please refer to the "Carton Contents" list located on the carton top flap.

| | | | | | | |
|-------------------------|-------------------------|------------------|--------------|------------------|----------------------|-----------------------|
| | | | | | | |
| Handle (screw attached) | Base & Dirty Water Tank | Clean Water Tank | Carry Handle | Trial Formula(s) | Accessory Bag & Hose | Tools (vary by model) |

Assembly

Required for Assembly



Phillips-head Screwdriver

| | | |
|---|--|--|
| | | |
| 1. Insert handle at the top of the base until it clicks into place. | 2. Align carry handle with slots on either side of base until it clicks into place. Use a Phillips-head screwdriver to insert screw (taped to handle). | 3. Align the clean water tank with grooves and slide into place. |

Filling the Formula Tank

For your best clean, use BISSELL Formula, Pretreat, and Boost. Scan the QR code or visit global.BISSELL.com for more.



This machine is compatible with BISSELL® formulas made for upright carpet cleaners. Always use genuine BISSELL formulas in your machine. Other formulas may harm the machine. **Note:** Fill with warm (140°F/60°C MAX) tap water and add the appropriate BISSELL® formula. Do not use boiling water. Do not heat water or tank in microwave.



Pretreat spots and stains to improve carpet cleaning performance.



Keep plenty of BISSELL cleaning formulas on hand so you can clean whenever it fits your schedule.



Add Boost carpet cleaning formula enhancers to any formula to increase its effectiveness.

| | | |
|--|---|--|
| | | |
| <p>1. Lift clean water tank up to remove from the machine. Unscrew the cap.</p> | <p>2. Use MAX/DEEP Clean or Express Clean lines for regular formula. Use easy fill lines for ANTIBACTERIAL formula.</p> | <p>3. Fill tank with warm tap water (140°F/60°C MAX) to the WATER line. Do not use boiling water. Do not heat water or tank in microwave.</p> |

| | |
|---|---|
| <p>4. Add cleaning formula.</p> <p>Regular and trial-size formula: Add formula to FORMULA line. Optional: Add 60 mL of OXY Boost. OXY Boost is not compatible with easy fill ANTIBACTERIAL formula.</p> <p>easy fill ANTIBACTERIAL formula: Twist yellow cap back onto tank. Firmly insert formula bottle into cap on tank and squeeze until formula reaches the easy fill line.</p> | <p>5. Screw cap back on if needed and slide tank into place.</p> |
|---|---|

*Compatible BISSELL formulas include: Pro Stain & Odour, Pet Stain & Odour, Stain & Odour, Ambipur Blossom & Breeze, Pet Urine Eliminator + Oxy, Allergen, Wash & Remove + Antibacterial, Oxy Boost

Note: It is common to refill the clean water tank and empty the dirty water tank multiple times throughout your cleaning process. Room size and the speed at which you clean are both factors that affect how often the tank may need to be refilled and/or emptied.

WARNING To reduce the risk of fire and electric shock due to internal component damage, use only BISSELL cleaning formula intended for use with this machine.

NOTICE BISSELL ANTIBACTERIAL formula is only for BISSELL machines with Easy Fill System.

Cleaning Carpets and Area Rugs

Visit global.BISSELL.com for helpful how-to carpet cleaning videos.



Important:

- Remove any solids and use a dry vacuum cleaner before using your carpet cleaner.
- To prevent damage to Berber carpets, avoid repeated strokes in the same area. Before cleaning area rugs and upholstery, check the manufacturer's tag and test an inconspicuous spot for colourfastness. We do not recommend deep cleaning delicate, silk, wool, antique, or area rugs without a manufacturer's tag.
- Stay off carpet until dry.

| | | |
|--|---|---|
| | | |
| <p>1. Plug into a properly grounded outlet. Select cleaning mode using chart below. Press power button to turn the machine ON.</p> | <p>2. Press recline pedal. Hold spray trigger for 10 seconds to wet brush roll. Note: Keep foot of carpet & upholstery cleaner perpendicular to rug's edge to prevent damage.</p> | <p>3. Make passes based on your selected cleaning mode (see chart below). When finished, turn machine OFF.</p> |

Cleaning Modes & Instructions

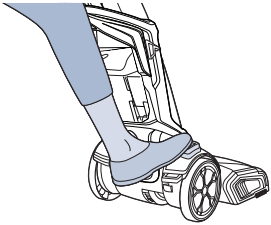
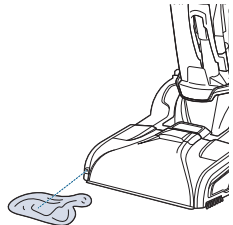
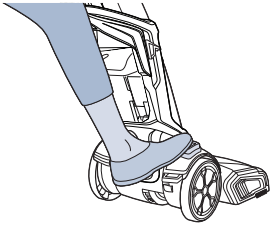
| | | |
|---|---|--|
| <p>MAX or DEEP Clean Mode Delivers a deep clean to your dirtiest carpets. Suggested Pace: 1m per 5 seconds</p> <ol style="list-style-type: none"> Hold spray trigger <ul style="list-style-type: none"> One pass forward One pass back Release spray trigger <ul style="list-style-type: none"> One pass forward One pass back | <p>MAX or DEEP Clean Mode with BISSELL® ANTIBACTERIAL Formula Suggested Pace: 1.5m per 5 seconds</p> <ol style="list-style-type: none"> Hold spray trigger <ul style="list-style-type: none"> One pass forward One pass back One pass forward Release the spray trigger <ul style="list-style-type: none"> One pass back | <p>Express Clean Mode Provides a lighter clean that dries in about 30 minutes. Suggested Pace: 30cm per second</p> <ol style="list-style-type: none"> Hold spray trigger <ul style="list-style-type: none"> One pass forward One pass back Release spray trigger <ul style="list-style-type: none"> One pass forward One pass back With trigger released, make passes until little water comes through the nozzle. |
|---|---|--|

Note: MAX or DEEP Clean Mode needs an estimated 8 hours to dry. Use a fan in the room or near the carpet to expedite the drying process. Express Clean Mode will not fill the dirt as quickly as MAX or DEEP Clean Mode.

CONTINUED ON NEXT PAGE ➔

NOTICE To ensure compatibility with your carpet, carpet dyes, upholstery, and upholstery dyes always test your cleaner first in an inconspicuous area for colourfastness.

Using CleanShot® Pretreater on Tough Stains and Messes

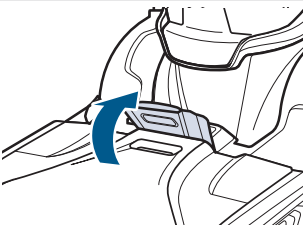
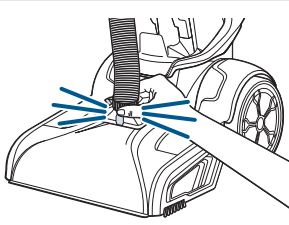
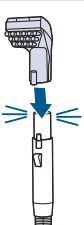
| | | |
|---|---|---|
|  |  |  |
| <p>1. With machine reclined, press the CleanShot button with your foot. The button will turn green and show an "I" when it is on. Spray will continue until turned off.</p> | <p>2. Maneuver machine and spray until stain is completely soaked.</p> | <p>3. Press the button with your foot to turn OFF. The button will turn red and show an "O". Let soak for 5 minutes.</p> <p>4. Move machine over stain to extract. Continue cleaning per instructions above.</p> |

Note: It is common to refill the clean water tank and empty the dirty water tank multiple times throughout your cleaning process. Room size and the speed at which you clean are both factors that affect how often the tank may need to be refilled and/or emptied

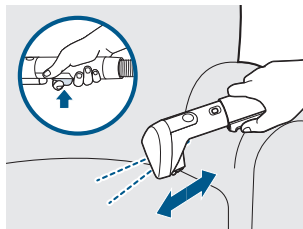
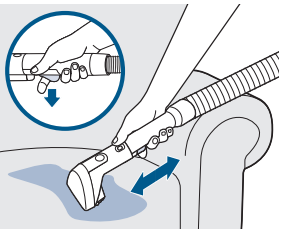
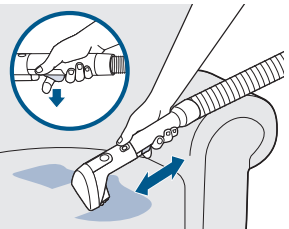
Cleaning with Hose and Tools

Tools vary by model. Visit global.BISSELL.com for additional tools.

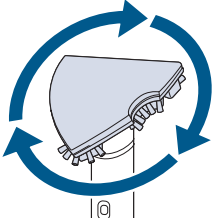
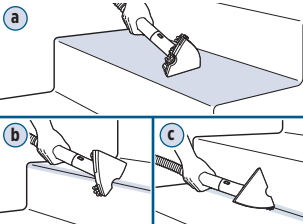
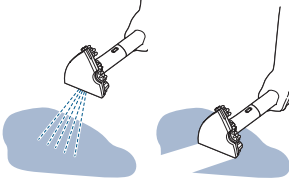


| | | |
|---|---|---|
|  |  |  |
| <p>1. Lift accessory hose door toward the machine to open.</p> | <p>2. Insert hose and snap into place with coloured release clip facing away from machine.</p> | <p>3. Attach tool to end of hose.</p> |

Deep Stain Tool; 7cm, 10cm and 15cm Tools; and Spraying Crevice Tool

| | | |
|--|---|--|
|  |  |  |
| <p>1. Point tool about 2 cm above spot or stain and press trigger.</p> <p>Deep Stain Tool: Set tool directly on surface and pull trigger. Keep tool in contact with carpet to avoid over-spraying.</p> | <p>2. Release spray trigger and gently scrub the stain.</p> | <p>3. Suction stain by placing tool on surface and slowly moving backwards.</p> |

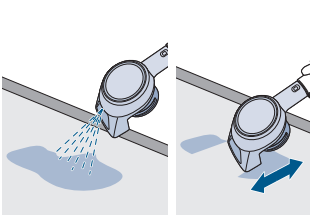
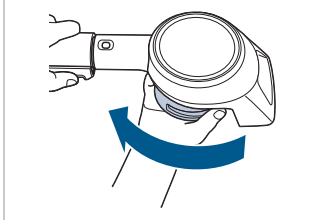
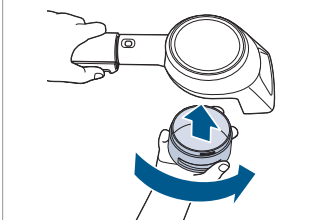
3-in-1 Stair Tool

| | | |
|--|---|---|
|  |  |  |
| <p>1. Twist tool to desired position. The downward facing edge is the active cleaning mode.</p> | <p>2. Use to clean stairs three ways: a. Flat edge: stair tread b. Indented area: outer corner c. Pointed edge: inner corner</p> | <p>3. Point tool about 2 cm above stain and press trigger. Suction stain by placing tool on surface and slowly moving backwards.</p> |

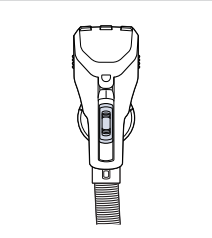
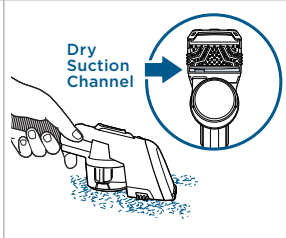
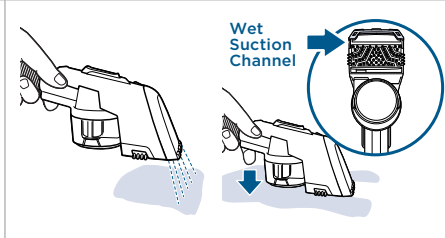
CONTINUED ON NEXT PAGE ➔

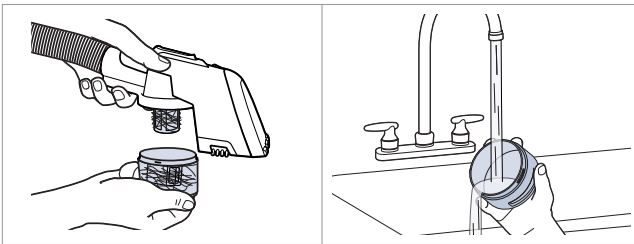
⚠ WARNING To reduce the risk of fire, electric shock or injury, turn power OFF and disconnect plug from electrical outlet before performing maintenance or troubleshooting.

Stain Trapper Tool

| | | |
|---|--|---|
|  |  |  |
| <p>1. Point tool about 2 cm above spot or stain and press trigger. Suction stain by placing tool on surface and slowly moving backwards.</p> | <p>2. To empty tool tank, rotate clockwise. Pour dirty liquid into sink or toilet and rinse. Allow time to air dry.</p> | <p>3. Reattach tank by lining up grooves and twisting into place.</p> |

2-in-1 Upholstery Tool

| | | |
|--|---|---|
|  |  |  |
| <p>Switch between dry and wet settings. Turn machine ON.</p> | <p>Dry Cleaning Vacuum up debris from carpet or upholstery.</p> | <p>Wet Cleaning 1. Hold down trigger to activate spray. 2. Release trigger and suction up the stain.</p> |



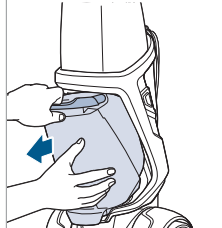
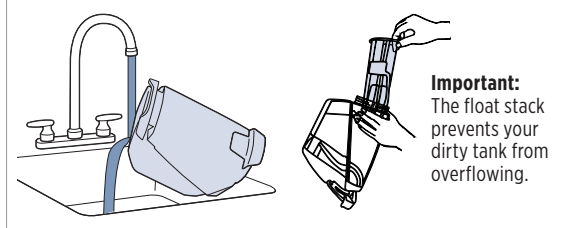

Emptying the Dirt Bin

1. Twist dirt bin to open. Empty debris into a garbage bin.
2. Rinse dirt bin. Let dry completely before reinstalling.

Emptying the Dirty Water Tank

For more helpful tips, check out global.BISSELL.com.



| | | |
|---|--|--|
|  |  |  |
| <p>1. Press tank handle and tilt tank toward you. Grab handle and tank with both hands and pull up and away to remove.</p> | <p>2. Empty tank. Quick empty: Pull rubber tab and tilt to pour. When closing, ensure tab is sealed tight. Final clean and rinse: Unscrew ring at bottom of tank. Remove and rinse float stack. Reinstall float stack by aligning arrows and lock into place. Twist and lock ring to keep water from leaking.</p> <p>Important: The float stack prevents your dirty tank from overflowing.</p> | <p>3. Clean red filter below tank by wiping off any remaining dirt or debris.</p> |

Note: It is common to refill the clean water tank and empty the dirty water tank multiple times throughout your cleaning process. Room size and the speed at which you clean are both factors that affect how often the tank may need to be refilled and/or emptied.

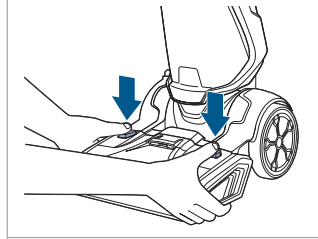
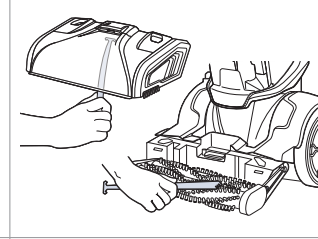
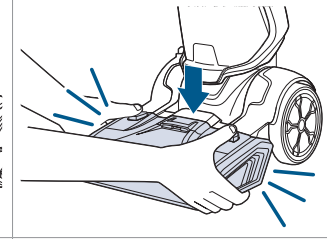
After-Cleaning Care



Rinsing the Machine

1. Rinse out the clean water tank to remove formula. Fill tank with warm tap water. Twist cap back on tightly.
2. Turn machine ON and press trigger for 15 seconds while making back and forth passes on a section of carpet. Release the trigger and extract the water. See above to clean the dirty water tank.

Cleaning the Brush & Nozzle

| | | |
|--|--|--|
|  |  |  |
| <p>1. Press two release buttons and lift up to remove cover.</p> | <p>2. Rinse the nozzle. Use the clean out tool to unclog debris. Use the comb to brush out debris from the brush rolls.</p> | <p>3. Reinstall cover by pushing down until both sides click.</p> |

Replacing the Belts and Brush Rolls

▶ Scan the QR code or visit support.BISSELL.com for videos.



| | | |
|--|--|---|
| | | |
| <p>1. Unplug machine and remove both tanks. Remove nozzle and brush roll cover (see steps in “After-Cleaning Care”). Press recline pedal and lay machine on its back.</p> <p>2. Use a flathead screwdriver to press into the slot at the back and then front of the belt access door. Lift to remove. Use a Phillips-head screwdriver to remove the screw under the wheel, slide down to remove.</p> | <p>3. Lay machine on its back. Use a Phillips-head screwdriver to remove the screw on brush roll endcap.</p> <p>4. If the gear belt is broken or if replacing brush rolls, remove the belt. Be careful the washers at the end of the brush rolls do not fall off or get lost.</p> <p>5. Align brush rolls with belt at other end. To ensure alignment, hold the end of one brush roll and twist. Check that washers are in place. Reassemble the belt and endcap, securing with screws.</p> | <p>6. If the flat belt is broken, gently remove. If it needs replacing for any reason, remove the gear belt before removing the flat belt. With machine on its side, feed the new belt through opening and wrap around red pulley.</p> <p>7. Lay machine on its back. Stretch flat belt to wrap around the metal axle.</p> <p>8. Slide wheel back into slot and secure with screw.</p> <p>9. Snap belt access door back into place.</p> |

⚠ WARNING To reduce the risk of fire, electric shock or injury, turn power OFF and disconnect plug from electrical outlet before performing maintenance or troubleshooting.

Troubleshooting

🔍 Below are some of the issues you may run into. If you don't see the issue you're experiencing below, visit global.BISSELL.com.



| Problem | Possible Cause | Remedies |
|--------------------------------------|--|--|
| Reduced or no spray | Clean water tank empty. | Refill tank. |
| | Clean water tank not seated properly. | Turn power OFF. Remove and reseat tank. |
| No spray through hose & tool | Hose to machine is not primed or may have lost prime. | 1. With the machine OFF and unplugged, remove nozzle from the foot. Place a ballpoint pen in black cylinder next to screw. When water bubbles up, remove pen. Reassemble nozzle and hose. 2. Hold end of hose below water level in tank to prime. 3. With clean water tank full of water, the machine OFF and RECLINED, press the CleanShot button ON and wait for the CleanShot to drain for a few seconds to re-prime the machine. |
| | Clean water tank empty. | Refill tank. |
| | Clean water tank not seated properly. | Turn power OFF. Remove and reseat tank. |
| No spray through CleanShot | Clean water tank empty. | Refill the tank. |
| | Clean water tank not seated properly. | Turn power OFF. Remove and reseat tank. |
| | Machine is not reclined. | Press the recline pedal and bring the handle down to recline the machine. |
| | Pump lost prime. | With machine OFF and unplugged, remove nozzle from foot. Place a ballpoint pen in black cylinder next to screw. When water bubbles up, remove pen. Reassemble nozzle. |
| CleanShot sprays when machine is OFF | CleanShot button not in the OFF position. | Press the CleanShot button to turn it off. The button window will show the colour red and a “O” symbol when it is in the OFF position. |
| Loss of suction power | Dirty water tank not seated properly. | Pick up tank and reseat on machine. |
| | Dirty water tank is full. | Empty tank. |
| | Rubber tab on dirty water tank not sealed tightly. | Check rubber tab on tank and press firmly on all edges to secure. |
| | Accessory hose door not closed tightly. | Check accessory hose door and make sure it is locked into place. |
| | Nozzle clogged from pet hair or debris. | Use nozzle clean out tool and follow steps on page 10. |
| No power | Brush roll cover not snapped into place. | Remove and replace the nozzle and brush roll cover. |
| | Cleaning mode switch mistaken for power switch. | Flip power switch on the left side of the machine to turn it ON. |
| Leaking tank | Outlet not active. | Try plugging in a different device that uses a grounded outlet to test for power from the outlet. |
| | Tank overfilled. Water may be caught in space between tank and tank handle. | 1. Make sure your tank has the water and formula in it that you've prepared. 2. With cap secured, hold tank at an angle, over a sink or drain, so any extra water can pour out of the space. 3. Wipe tank dry with a cloth. |

Limited Warranty

This limited warranty is provided by BISSELL® International Trading Company B.V. ("BISSELL") and applies in Australia and New Zealand. It gives you specific rights. It is offered as an additional benefit to your rights under law. You also have other rights under The Australian Consumer Law or New Zealand Consumer Laws, whichever applies to you. You can find out about your legal rights and remedies by contacting your local consumer advice service. Nothing in this warranty will replace or lessen any of your legal rights or remedies. If you need additional instruction regarding this warranty or have questions regarding what it may cover, please contact BISSELL Consumer Care or contact your local distributor.

This warranty is given to the current owner of the product with the original sales receipt. The original sales receipt must include the product(s) purchased, the date purchased, and which country it was purchased from new. You must be able to evidence the date of purchase and show the product was purchased in Australia or New Zealand to submit a claim under this warranty. You will receive the warranty that is applicable to the country where your product was originally purchased, as shown on the original sales receipt. If you use the product outside of the country where it was purchased, your warranty may be void in BISSELL's sole discretion. It may be necessary to obtain some of your personal information, such as a mailing address, to fulfill the terms of this warranty. Any personal data will be handled pursuant to BISSELL's Privacy Policy, which can be found at global.BISSELL.com/privacy-policy.

Limited Two-Year Warranty

For two years from the date of purchase by the original purchaser, subject to the *EXCEPTIONS AND EXCLUSIONS identified below, BISSELL will repair or replace (with new, refurbished, lightly used, or remanufactured components or products), at BISSELL's option, free of charge, any defective or malfunctioning part or product.

BISSELL recommends that the original packaging and original proof of purchase with the date of purchase and country where purchased be kept for the duration of the warranty period in case you want to redeem the warranty during the warranty period. Keeping the original packaging will assist with any necessary re-packaging and transportation but is not a condition of the warranty.

If your product is replaced by BISSELL under this warranty, then the new item will benefit from the remainder of the term of this warranty (calculated from the date of the original purchase). The period of this warranty shall not be extended whether or not your product is repaired or replaced.

*Conditions of Warranty

This warranty applies to products used for personal domestic use and not commercial or hire purposes. Consumable components and attachments such as filters, belts, shells, water tanks, scraping strips, brushes, and mop pads, which must be replaced or serviced by the user from time to time, are not covered by this warranty.

This warranty does not apply to any defect arising from fair wear and tear, including but not limited to the battery discharging time shortening due to the aging or use. Damage or malfunction caused by the user or any third party whether as a result of accident, negligence, abuse, neglect, or any other use not in accordance with the user guide is not covered by this warranty. An unauthorised repair (or attempted repair) may void this warranty whether or not damage has been caused by that

repair/attempt. Removing or tampering with the Product Rating Label on the product or rendering it illegible will void this warranty.

Except as set out below, BISSELL and its distributors are not liable for any loss or damage that is not foreseeable or for incidental or consequential damages of any nature associated with the use of this product including without limitation loss of profit, loss of business, business interruption, loss of opportunity, distress, inconvenience, or disappointment. Except as set out below, BISSELL's liability will not exceed the purchase price of the product.

BISSELL does not exclude or limit in any way its liability for (a) death or personal injury caused by our negligence or the negligence of our employees, agents or subcontractors; (b) fraud or fraudulent misrepresentation; (c) or for any other matter which cannot be excluded or limited under law.

To make a claim under this warranty contact BISSELL Australia PTY LTD (details below). Contact BISSELL prior to returning any goods. Where agreed, BISSELL will reimburse reasonable postage / handling costs (if any) for returning goods to BISSELL. To claim expenses incurred in making a claim under this warranty please provide BISSELL with a copy of the receipt of the expenses by email or post.

For Australian Consumers Only: Our goods come with guarantees that cannot be excluded under the Australian Consumer Law. You are entitled to a replacement or refund for a major failure and compensation for any other reasonably foreseeable loss or damage. You are also entitled to have the goods repaired or replaced if the goods fail to be of acceptable quality and the failure does not amount to a major failure.

Important Notes

Please keep your original sales receipt. It provides proof of the date of purchase and where it was purchased in the event of a warranty claim. See warranty for details.

Please note that using your BISSELL machine outside of its country of original purchase and/or use with a power converter may damage your BISSELL machine and damage caused by mismatched power voltage will not be covered by your warranty.

Please note that putting vinegar, bleach, dish soap, detergent, homemade soap, and other non-BISSELL products in your BISSELL machine may damage your BISSELL machine. Damage caused by using non-BISSELL products in your machine will not be covered by your warranty.

Consumer Care

If your BISSELL product should require service or to claim under our limited guarantee, please contact us.

Australia

Telephone: 1300 247 735
Website: BISSELL.com.au
Address: 789 Springvale Road, Mulgrave, Victoria 3170
Email: consumercareau@bissell.com

New Zealand

Telephone: 0800 247 735
Website: BISSELL.co.nz
Address: 789 Springvale Road, Mulgrave, Victoria 3170
Email: consumercarenz@bissell.com